

# Assembly & User Instructions

## 4kW Table Top Patio Heater

---

551A







Read the instructions before using this appliance. The appliance must be installed in accordance with the instructions and local regulations. Keep the instructions for future reference.







This appliance must be used, and the gas cylinder stored, in accordance with the regulations in force.




---




# Parts Supplied

Ref	Description	Illustration	Qty
1	Base		1
2	Base Weight		1
3	Support Ring		1
4	Decorative Cup		1
5	Lantern Guard		1
6	Lantern and Gas Hose		1

Ref	Description	Illustration	Qty
7	Parasol		1
8	Upper Lantern Guard		1
9	Support Pole		1
10	Regulator		1

## Fixings Supplied

Ref	Description	Illustration	Qty
A	M6 x 50 Bolt		3
B	M6 Nut		6
C	M6 Dome Head Nut		3

Ref	Description	Illustration	Qty
D	M6 Washer		3
E	M4 x 8 Screw		3
F	Spring Washer		3

**Note: Fixings not shown to actual size.**

## Tools required ( Not supplied )

- |  |
|--|
| <ul style="list-style-type: none"><li>• Spanner</li><li>• Philips Head Screwdriver</li></ul> |
|--|

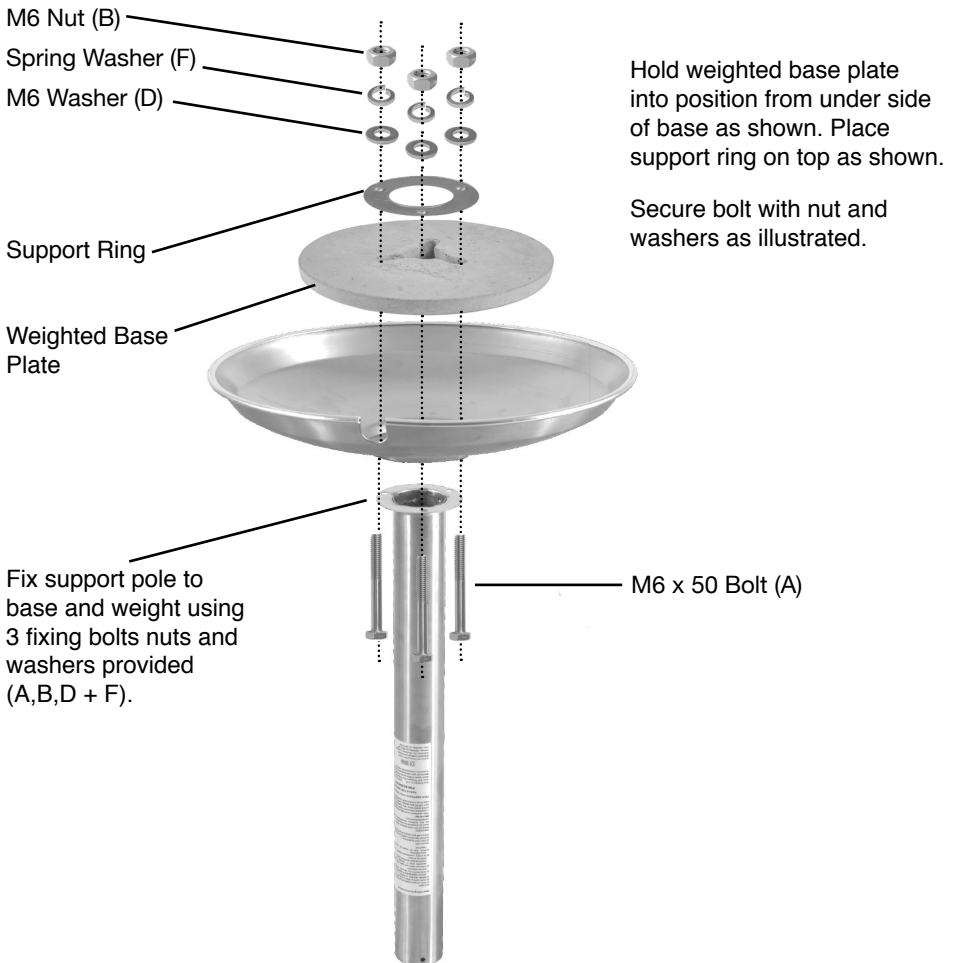
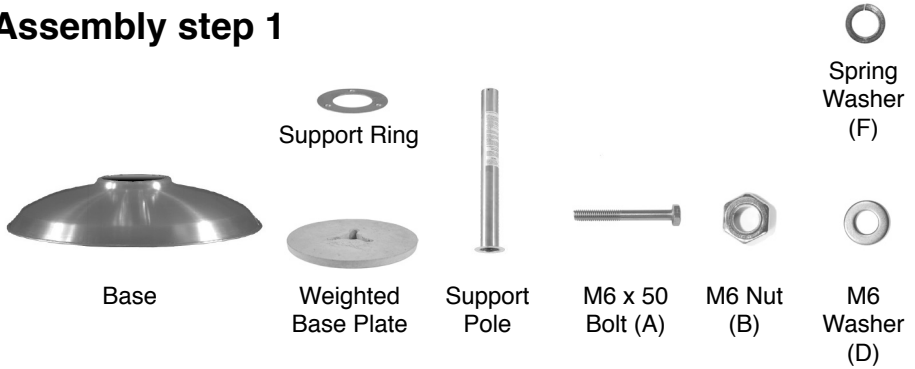
### Before You Start

- Check the contents of the box and make sure you have all the parts and fittings listed. If not, contact our support Helpline on 00 353 1 2873797 and we will be able to help you.
- When you are ready to start, make sure that you have the right tools at hand, plenty of space and a clean dry area for assembly.

### Assembly

- Please lay out all nuts and bolts before assembly. It is recommended that the carton is cut open and spread out on the floor and used as a protective surface during assembly. Refer to the assembly diagrams as necessary.
- Important - while every precaution has been made in the manufacture of this product, care must be taken during assembly in case sharp edges are present.

# Assembly step 1



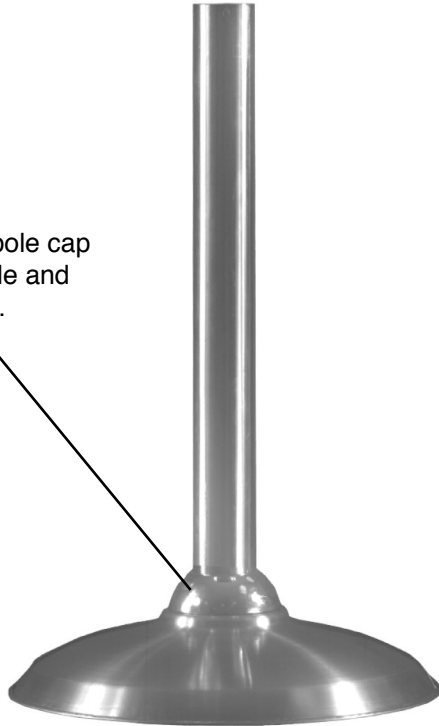
## Assembly step 2



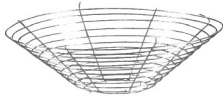
Lower pole  
cap

---

Slide lower pole cap  
down the pole and  
rest on base.



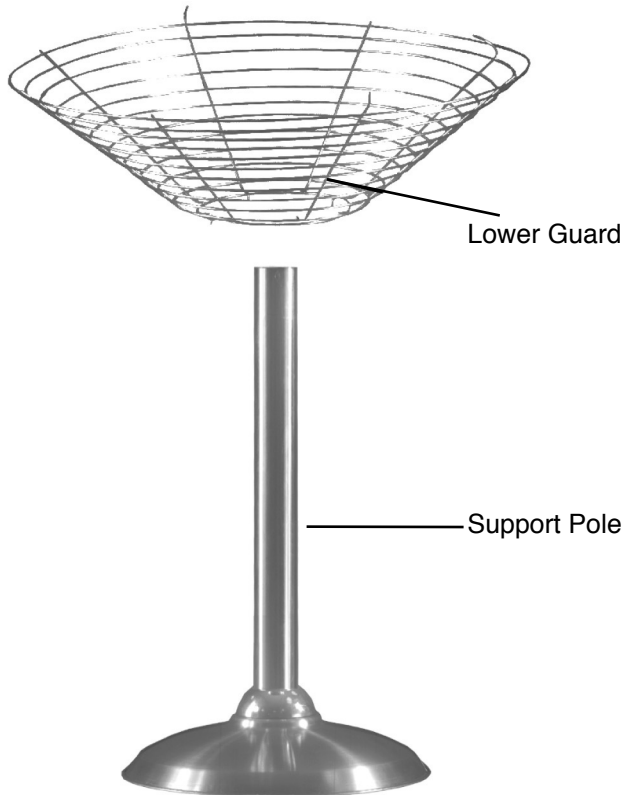
## Assembly step 3



Lower guard

---

Slide lower guard over support pole



## Assembly step 4



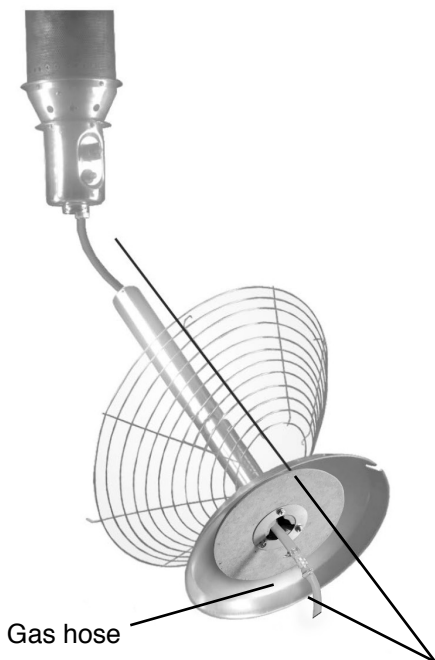
Regulator



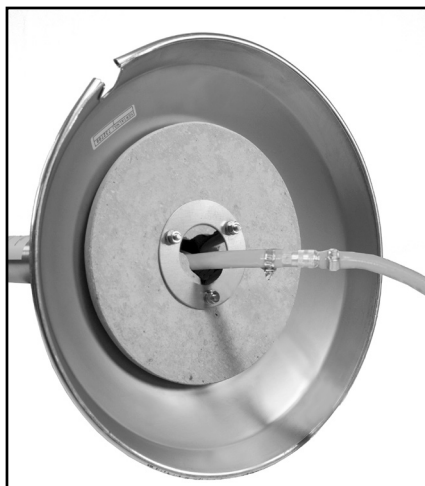
Lantern



Gas Hose



Gas hose



Using snap connector, connect the short gas hose to gas hose already attached to heater.

First, fix the long gas hose to lantern and secure tightly to gasline nozzle. Then secure with jubilee clip. **Pinch tight with a spanner to ensure that it is fully tightened.**

Feed the gas hose down through the support pole as illustrated in the diagram.

## Assembly step 5

### Check patio heaters for leaks

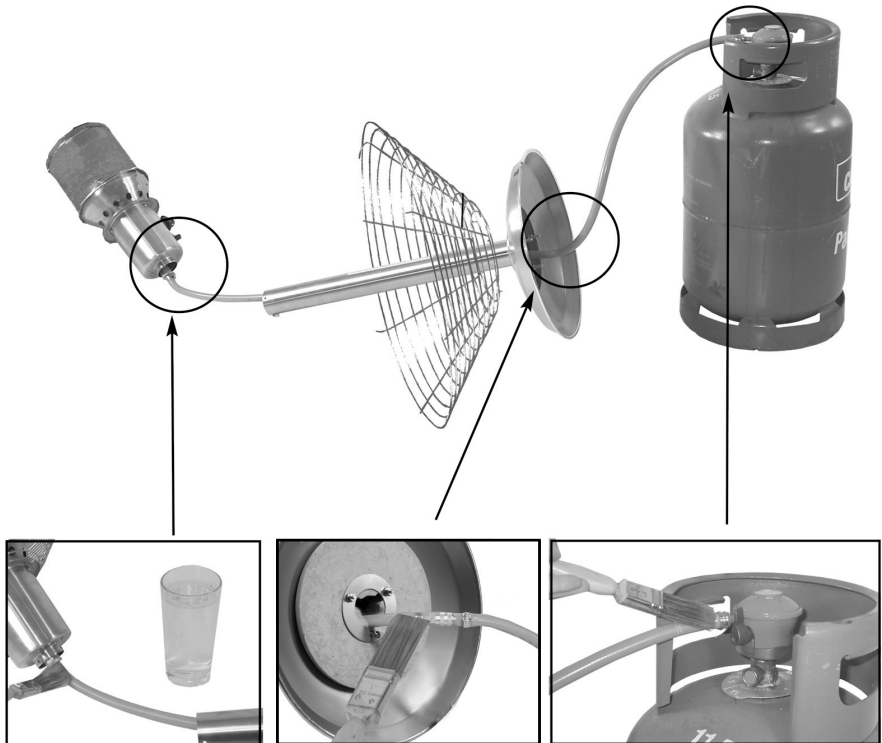
To be performed in a well ventilated area. Lay heater down on the floor as shown below. Confirm all control knobs are in the off position. Turn the gas cylinder regulator on.

Check for leaks by brushing a solution of 1/2 water and 1/2 soap over the gas hose connections and regulator connection as shown.

**NEVER USE AN OPEN FLAME** to test for leaks at any time.

If bubbles form over any of the joints, there is a leak. Turn off gas supply and retighten all joints.

Repeat test. If bubbles form again, do not use the patio heater. Please contact your local gas dealer for assistance or the helpline stated in this manual. Leak test annually and whenever the gas bottle is removed or replaced.





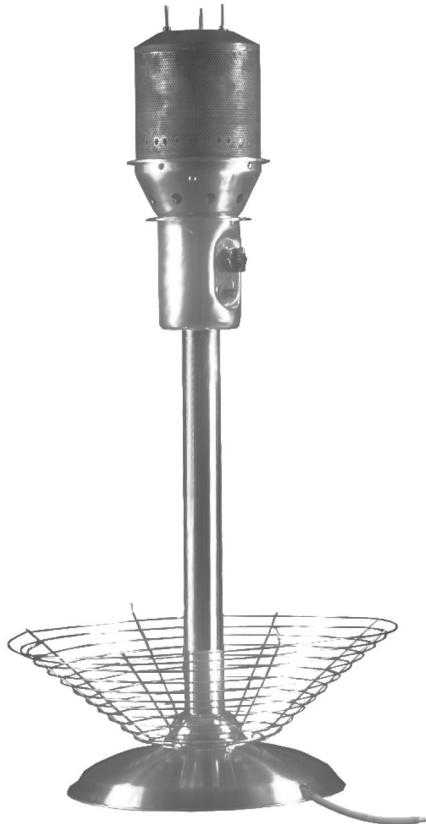
## Assembly step 6



M4 x 8  
Screw (E)

---

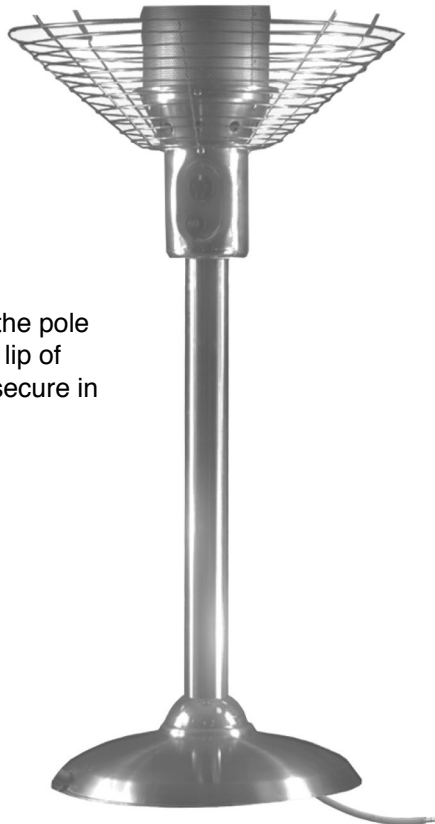
Secure lantern to support pole  
with 3 screws provided (E).



## Assembly step 7

---

Slide lower guard up the pole through slots in metal lip of lantern and rotate to secure in position as shown.



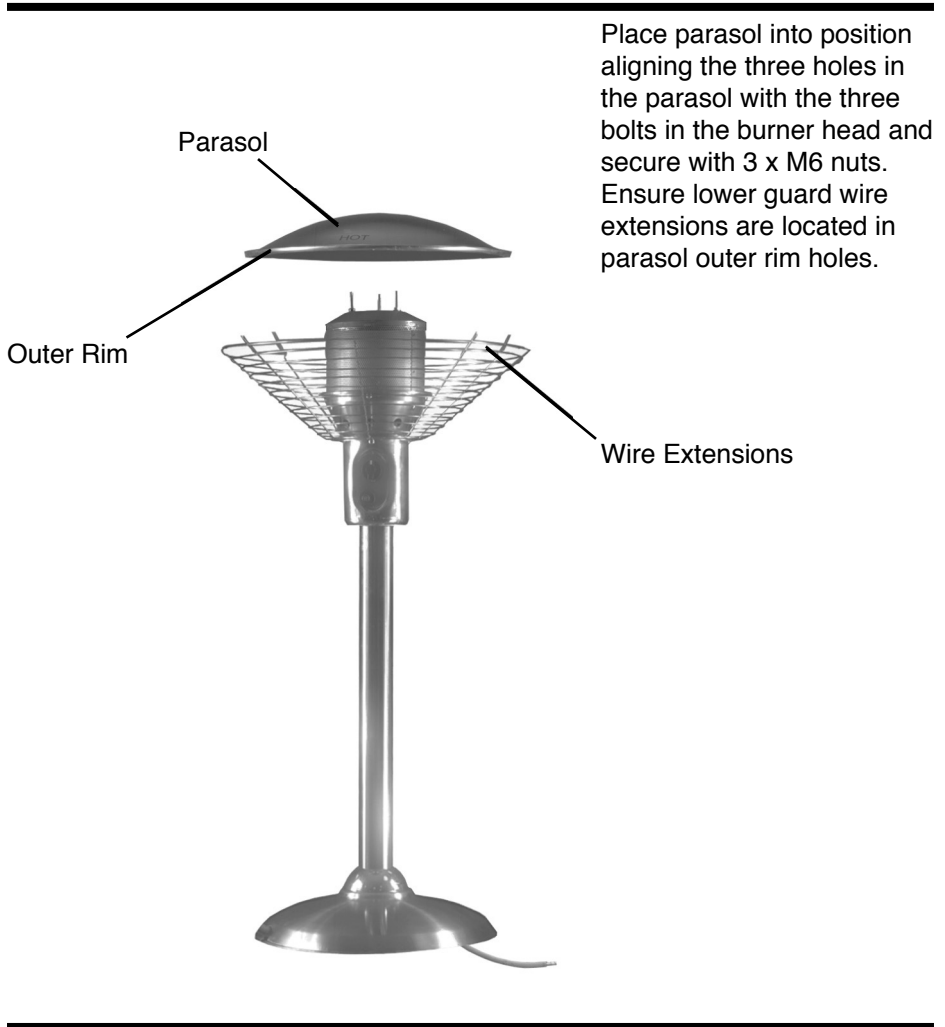
## Assembly step 8



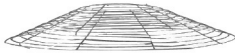
M6 Nut  
(B)



Parasol



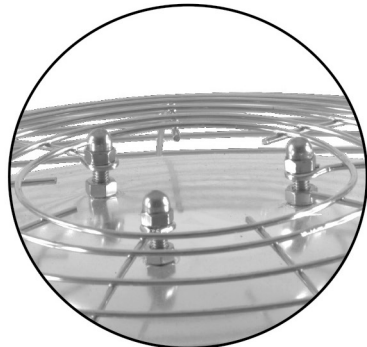
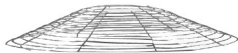
## Assembly step 9



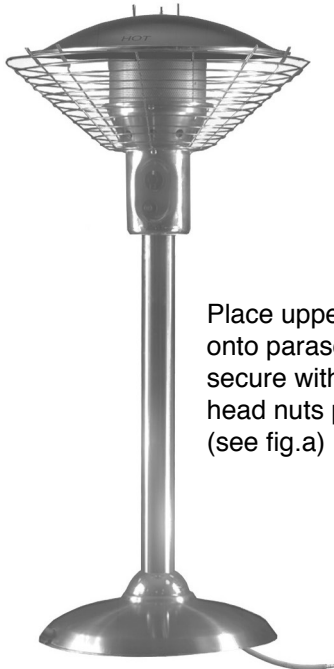
Upper guard



M6 Dome  
Head Nut (C)



(fig.a)



Place upper guard  
onto parasol and  
secure with 3 dome  
head nuts provided.  
(see fig.a)

## Leak Testing

- To be performed in a well ventilated area.
- Confirm all control knobs are in the off position.
- Open the gas control valve on the bottle or regulator.
- Check for leaks by brushing a solution of 1/2 water and 1/2 soap over the gas system joints, including all valve connections, hose connections and regulator connections.
- **NEVER USE AN OPEN FLAME** to test for leaks at any time.
- If bubbles form over any of the joints, there is a leak.
- Turn off gas supply and retighten all joints.
- Repeat test. If bubbles form again, do not use the patio heater. Please contact your local gas dealer for assistance or the helpline stated in this manual.
- Leak test annually and whenever the gas bottle is removed or replaced.

## Gas and Regulator

- This appliance is for propane use only.
- Propane bottles (patio gas green in the UK, or patio gas grey in Ireland) will supply gas all year round even on cold winter days.
- We recommend a bottle size of at least 10kg for use with this appliance (in the UK).
- Gas bottles should never be stored on their side.
- Never store gas bottles indoors.
- **Suitable propane regulators must have an outlet pressure of 37mbar. This appliance is supplied with a propane regulator which must only be used for propane gas. NEVER use an adjustable regulator with this appliance.**
- Please consult your gas dealer for the most suitable gas bottles for your regulator.

## Siting Instructions

- Take care that it is not placed UNDER any combustible surface.
  - The sides of the appliance should NEVER be closer than 1.5 metres from any combustible surface.
  - Keep this appliance away from any flammable materials!
  - Should you need to change the gas bottle, confirm the gas supply is turned off at the regulator or bottle / cylinder valve, and that you are in an amply ventilated area, away from any ignition source (candle, cigarettes and other flame producing appliances).
  - Hose which can be used with this heater must conform with EN16436-1 or similar and must not be longer than 1.5m.
  - Ensure that the hose bore and regulator are compatible.
  - The hose should be secured to the regulator nozzle using a jubilee clip or similar.
  - Inspect the gas hose to ensure it is free from any twisting or tension. The hose should hang freely with no bends, folds, or kinks that could obstruct free flow of gas. Regularly (at least once per month and each time the cylinder is changed) inspect the hose for cuts, cracks, or excessive wear before use. If the hose is damaged, it must be replaced with hose suitable for use with LPG and meet the national standards for the country of use.
- N.B. - The date on U.K. orange hose is the date of manufacture, not the expiry date.



## Connecting to the cylinder

- Confirm all control knobs are in the off position.
  - Connect the regulator to the gas bottle according to your regulator and bottle dealers instructions.
  - The gas cylinder should be positioned on level ground below the heater. It should not be placed beside the patio heater.
-


## Use Instructions

Read the instructions before installation and use.

### To Light:

- Turn on gas supply at gas cylinder.
- Push control dial in and turn to position .
- While the dial is held in at position , press spark button repeatedly to ignite the burner.
- Once ignition has occurred, keep holding dial in for at least 10 seconds to ensure the heater stays lit.
- If burner does not light after attempting for 20 seconds, wait 1 minute and try again. Do not continuously hold the dial in as you may cause a build up of gas.
- In windy conditions, shield from wind to ensure easy lighting.
- Turn dial to higher or lower flame position as required.

### To Turn Off:

- To Turn off, turn dial to OFF position .
- Turn the gas off and disconnect at the cylinder when not in use.
- Close the valve of the gas cylinder or the regulator after use

**NOTE:** It is normal for the heater to smoke during the first few minutes of use.

## Care and Maintenance

- Regularly clean your patio heater between uses and especially after extended periods of storage.
- Ensure the heater control is turned fully to the off position, the gas supply is shut off at the regulator or bottle / cylinder valve, and the heater and its components are sufficiently cool before cleaning.
- Never douse the heater with water when its surfaces are hot.
- We recommend that servicing of this appliance should be performed either after every 100 hours of use or annually, whichever is achieved soonest.

## Fixings

All screws and bolts, etc, should be checked and tightened on a regular basis.

## Storage

- Do not leave the patio heater exposed to outside weather conditions or stored in damp moist conditions.
- The heater should never be operated without the reflector in place.
- If the heater is to be stored indoors, the gas bottle must be disconnected and left outside. in a dry, well-ventilated area, away from any sources of heat or ignition.
- Do not let children tamper with the bottle.

## Service

If your heater needs maintenance or is not working properly, please contact your local authorized agent for service. It is a necessity to contact an authorized source for replacement of parts and/or servicing. This work must be carried out by a qualified gas technician. Spare parts may be obtained by using the helpline stated in this manual.

---

## **WARNINGS**

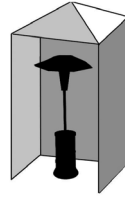
- This product is for **OUTDOOR USE ONLY**
- NEVER use indoors, in an enclosed area or below ground level.
- This appliance is intended for use with LPG bottled gas only. (A regulator of 37mbar for Propane gas must be used.)
- This appliance has been supplied with a PROPANE REGULATOR (only use with Propane gas).
- NEVER use an adjustable regulator with this appliance.
- This appliance features a flame failure and tilt device. In the event of a wind blowing the flame out or the unit being tipped over, the gas supply will be cut off from the cylinder. In this event, the knobs should be set to off and you should wait 3 minutes before re-lighting.
- This product will become hot when in use – take care when touching.
- Keep children and pets at a safe distance from the unit when in use.
- Do not move the appliance when in operation.
- Any modification of this appliance may be dangerous.
- DO NOT use heater where the reflector is within 1.5m of any flammable structure or surface.
- NEVER operate the heater with the top half covered (burner head, reflector, etc.)
- DO NOT leave this product unattended when in use.
- Always keep the cylinder level and vertical and positioned 1m from the heater.
- ONLY use this appliance on a flat LEVEL non flammable surface or ground. Positioning, ensure the unit is a minimum of 1.5metres from flammable items or structure from all sides and above.
- Always leak test the unit before use, annually, or after storage, when parts are replaced/serviced or if the gas cylinder is removed or replaced.
- Shut off the valve at the gas cylinder or the regulator before moving the appliance.
- When storing the appliance or gas cylinder, ensure they are away from flammable materials or liquids.
- Regularly check that the regulator seal and hose is fitted and that it is in good condition.  
Replace parts if necessary.
- The gas cylinder must not be stored next to this or any other appliance.
- Always follow the care and maintenance instructions – regularly maintain your appliance.
- Always replace worn parts – do not use the appliance if a leak, wear, or damage is found.
- DO NOT store or cover the appliance until fully cooled.
- In case of violent wind, precautions must be taken against tilting of the appliance.
- Only use with gazebo's specifically designed to be used with patio heaters.
- Ensure the heater is at a safe distance from glass and PVC doors and windows to stop damage from any heat build up.
- Read the warning and instructions for use before operation.
- The table surface may get very warm, take care with glass and fine wood tables. We recommend the use of table cloth or similar to protect such surfaces.
- The guard on this appliance is there to reduce the risk of a fire or injury, only use the heater with the guarding in place. Take care when in use as the guard will get hot.
- DO NOT leave your patio heater uncovered when not in use. Store your appliance in a shed or garage when not in use to protect against the effects of extreme weather conditions, particularly if you live near coastal areas. Prolonged exposure to sunlight, standing water, sea-air/saltwater can all cause damage to your appliance. (A cover may not be sufficient to protect your appliance in some of these situations).
- Do not connect the gas cylinder directly to the appliance without regulator.
- The tubing or the flexible hose must be changed within the prescribed intervals.
- Use only the type of gas and the type of cylinder specified in these instructions.

## **CAUTION**

- Regularly clean your patio heater after every use.
  - If you smell gas – turn off the appliance and extinguish all flames. If the odour continues, immediately contact your gas supplier.
  - In the event of an uncontrollable fire, immediately disconnect the gas cylinder moving it away from fire and contact the fire services. **DO NOT PUT YOURSELF AT RISK!**
  - Ensure aerosols are not used near this unit when in use.
-

- Ensure all packaging and plastic bags are disposed of safely.
- This table top heater is not suitable for use with plastic tables.
- In the interest of safety we recommend that this table top heater should only be used with tables having a minimum diameter or width of 90cm.

- For use outdoors or in amply ventilated areas.
- An amply ventilated area must have a minimum of 25% of the surface area open.
- The surface area is the sum of the walls surface.
- The use of this appliance in an enclosed area can be dangerous and is prohibited



## Technical Data

<b>Overall Height:</b>	980mm approximately
<b>Overall Width:</b>	540 millimetres approximately.
<b>Heat Input(<math>\Sigma Q_n</math>):</b>	4kW NET (15,000Btu/h)
<b>Gas Consumption:</b>	288grams per hour at maximum setting.
<b>Gas Category:</b>	I3p
<b>Gas Type:</b>	Propane
<b>Injector Size:</b>	1.0mm
<b>Setting Pressure:</b>	37mbar
<b>Regulator Outlet Pressure:</b>	37mbar
<b>CE Approval:</b>	2797/20

Specifications are subject to change without prior notice.

Manufactured by: Universal Innovations, Kilcoole Ind. Est., Kilcoole, Co. Wicklow, A63DX27, Ireland.

Web: [www.saharabbqs.com](http://www.saharabbqs.com)

Email: [info@saharabbqs.com](mailto:info@saharabbqs.com)

### Guarantee

The 4kW Table Top Patio Heater is made by Universal Innovations to an exacting quality standard and is covered by the following guarantee:

**This product has a 5 year limited warranty, regarding proper use.**

Thermocouple and tilt switch: 2 years

All other parts: 5 years

This guarantee does not affect your statutory rights in any way.

**HELPLINE Dublin Ireland 00 353 1 2873797**

**IF YOU NEED ANY ASSISTANCE PLEASE DO NOT HESITATE TO CONTACT US DIRECTLY AT THE FACTORY. DO NOT BRING GOODS BACK TO PLACE OF PURCHASE.**